

automated strainer

Space saving

High temperature application

Reduced Disposable cost

Self cleaning mechanism

Cleanable filter media

Low differential pressure

Remove wide range of contaminant.

High viscosity filtration

MAS | MICROFILT AUTOMATIC STRAINER



PAINT | ADHESIVES | POLYMER | VISCOUS FLUIDS | LACQUERS



www.microfiltindia.com

Microfilt India Pvt. Ltd.

Plot no. 247/2, GIDC Phase II,
Umbergaon-396171,
Dist. Valsad, Gujarat India.

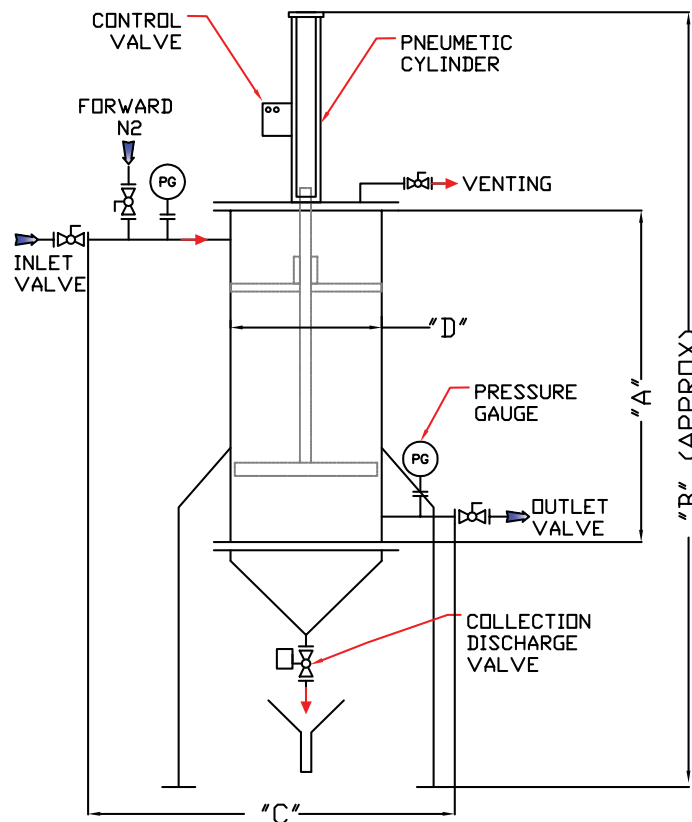
Tel: +91 260 2561392 / 93

Email: innovations@microfiltindia.com
Web: www.microfiltindia.com

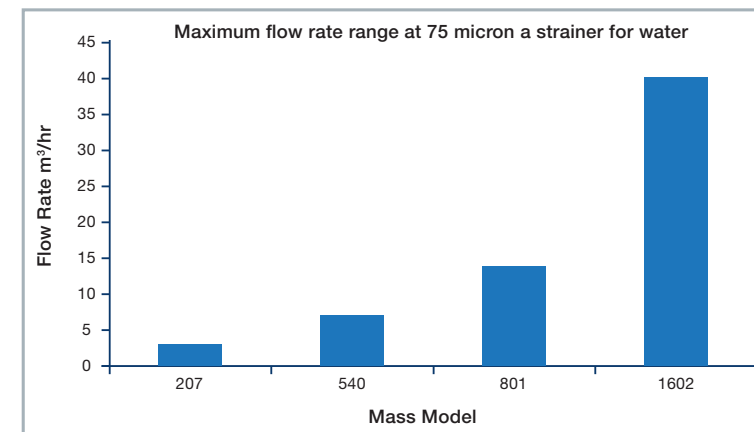
Microfilt Automated Strainer (MAS) are offered in several configurations requiring filtration from more than 1000 microns to less than 20 for liquids very high in viscosity in excess of 1 lac cp. MAS is mechanically cleaned-in-place filters, eliminates requirement of high area filter. It continuously clean the filter surface and solids can be intermittently discharged from discharge point. When processing water and water like liquids where a low initial investment is demanded, the Standard Series delivers tremendous benefits. Available in 207, 540, 801 and 1602 models, the Standard Series enables operation at a vast range of flow Rates and retentions. MAS filters are ideal for continuous flow (and also batch) applications. Range of filter media available, slotted wedge wire and sintered wire mesh. Micron rating of filter media variation depends on type of application.

Features and Benefits

- | | |
|--|---|
| <p>Eliminates the need for disposable media</p> | <ul style="list-style-type: none"> • Reduced disposal costs, material loss, labor, exposure and inventory • Create Eco- friendly environment. |
| <p>Mechanically cleaned in place</p> | <ul style="list-style-type: none"> • Provides a constant, low differential pressure and more thorough contaminant purge |
| <p>Required lower floor space</p> | <ul style="list-style-type: none"> • Can be automated at most of places |
| <p>Choice of various metal cleanable media</p> | <ul style="list-style-type: none"> • Enables removal of a wide range of contaminants • Can be operated at demanding operating condition |



MODEL	MAS 207	MAS 540	MAS 801	MAS 1602
Part Number	G0001-MAS 207 BN	G0001-MAS 540 BN	G0001-MAS 801 BN	G0001-MAS 1602 BN
Dimensional Data in (mm)				
A	135	440	440	830
B	525	1120	1315	2065
C	220	550	650	700
D	102	146	214	272
Total Hold up Approx (Litres)	0.5	5	15	40
Discharge cone capacity (Litres) Approx.	<0.1	<0.2	0.7	6
Filtration Area (m ²)	0.013	0.08	0.18	0.4



Material of Construction	
Wetted Part	SS 316 / SS 304* / Hastelloy PP / PTFE / PVDF for corrosive liquids
Non-Wetted Part	SS 304
Elastometer	Silicon / PTFE / EPDM

Operating Conditions	
Max. Operating Pressure	7 Kg / cm ² **
Max. Operating Temperature	150 °C (302 °F)**

Special Coatings
PP / PTFE / PVDF for corrosive liquids

Filter Media Nominal Rating***	
Micron(μ)	20,25,38,50,75,100,125,150,200 ***

Mesh vs Micron	
U.S. MESH	MICRONS
14	1410
16	1190
18	1000
20	841
25	707
30	595
35	500
40	400
45	354
50	297
60	250
70	210
80	177
100	149
120	125
140	105
170	88
200	74
400	38

* Other MOC available as required.
 ** Higher temperature or Pressure compatibility design available on request.
 *** Other micro rating available as required.

- | Features of Filter Media |
|---|
| <ul style="list-style-type: none"> • Easy backwash • High viscosity filtration • High temperature application • Reusable, Cleanable |