

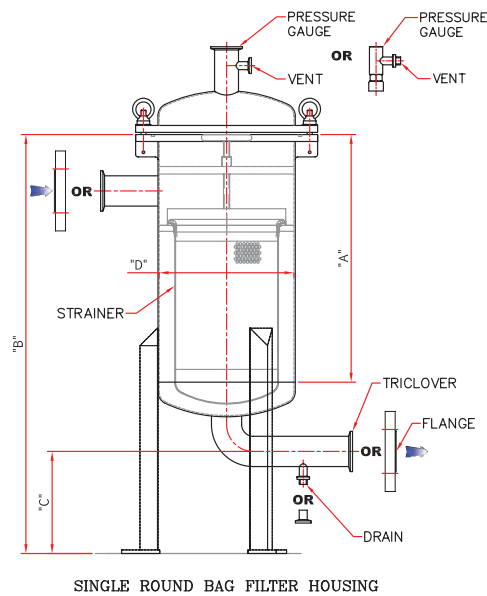
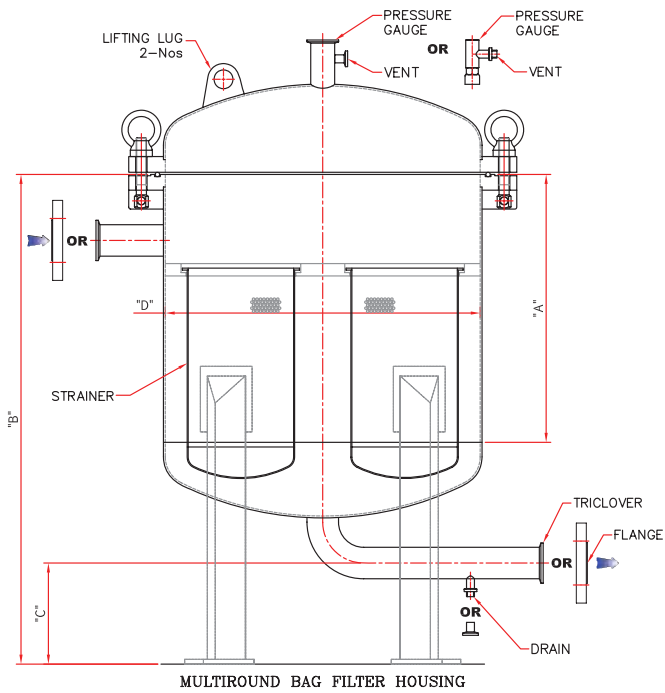
PROCESS FILTER HOUSINGS & EQUIPMENTS



BAG FILTER

MICROFILT BAG FILTER HOUSINGS are designed for varied filtration processes ranging from Pharmaceuticals to Paints. They are designed for heavy duty with side or top entry for easy connections. The swing bolt design enables quick access to the filter bags enabling easy removal and installation. Designed to suit various flow rates, the bag filters come in various models ranging to accommodate single or multiple bags.

MICROBAG features the most economical filtration media for filtration of most of fluids including highly viscous fluids like oil, paint, resin, etc. with high levels of solid content. Housings can accommodate 1-7 bags or more of bags of Size 1 and Size 2.



PART NO.	"A" (IN MM)		"B" (IN MM)		"C" (INMM)	"D" (INMM) ID	CONNECTION						BOX SIZE IN INCH (LxWxH)		
	SIZE I	SIZE II	SIZE I	SIZE II			INLET OUTLET	PRESSURE GAUGE		VENT		DRAIN/SAMPLING		SIZE I	SIZE II
								TC	BSP	TC	BSP	TC	BSP		
C0001-0107XBS	485	835	815	1165	200	214	1.5"	1.5"	1/4"	1/2"	1/4"	1/2"	1/4"	21x21x42	21x21x57
C0001-0307XBS	485	835	890	1240	200	500	2"	1.5"	1/2"	1/2"	1/2"	1/2"	1/4"	33x33x48	33x33x62
C0001-0407XBS	510	855	975	1335	250	550	3"	1.5"	1/4"	1/2"	1/2"	1/2"	1/4"	35x35x52	35x35x66
C0001-0507XBS	510	860	1015	1355	250	625	3"	1.5"	1/2"	1/2"	1/2"	1/2"	1/2"	39x39x57	39x39x70
C0001-0707XBS	510	860	1035	1385	250	400	3"	1.5"	1/2"	1/2"	1/2"	1/2"	1/2"	42x42x59	42x42x72

ORDERING GUIDE:

