

Cellulose Media

Charge Modified

Injectable Pre-filtration

Fine colloids removal

High contaminant loading

Polar Solvent compatible

Charge Modified

Cellulose Media



# CMDF

Charge Modified Depth Filter



CMDF Cellulose Media Layer

CHEMICAL | PHARMA | BIOTECH | FOOD & BEV | ELECTRONICS

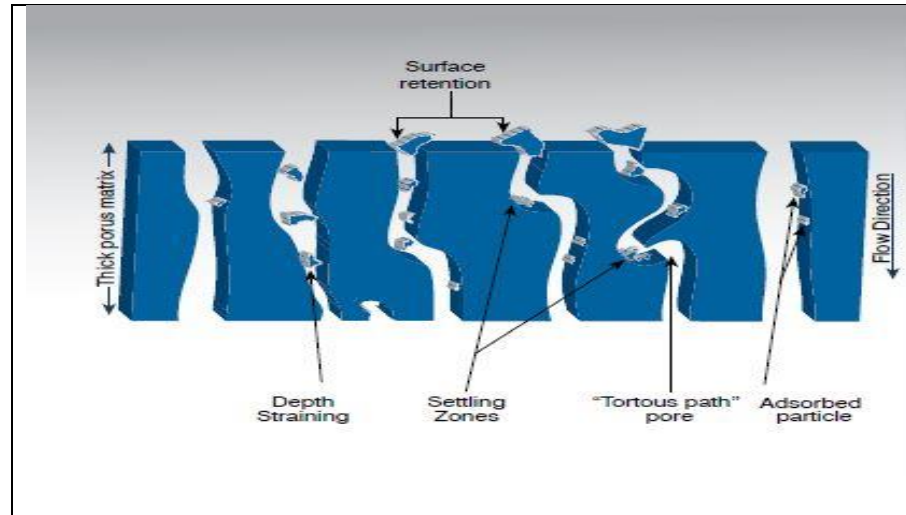


For Sparkling Clarity

[www.microfiltindia.com](http://www.microfiltindia.com)

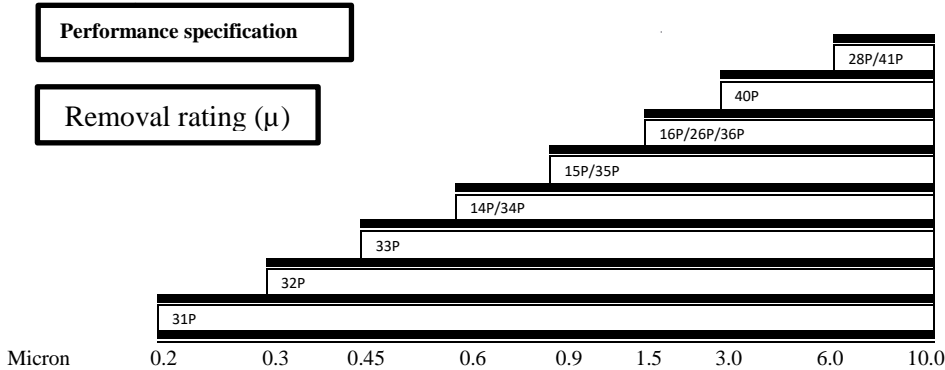
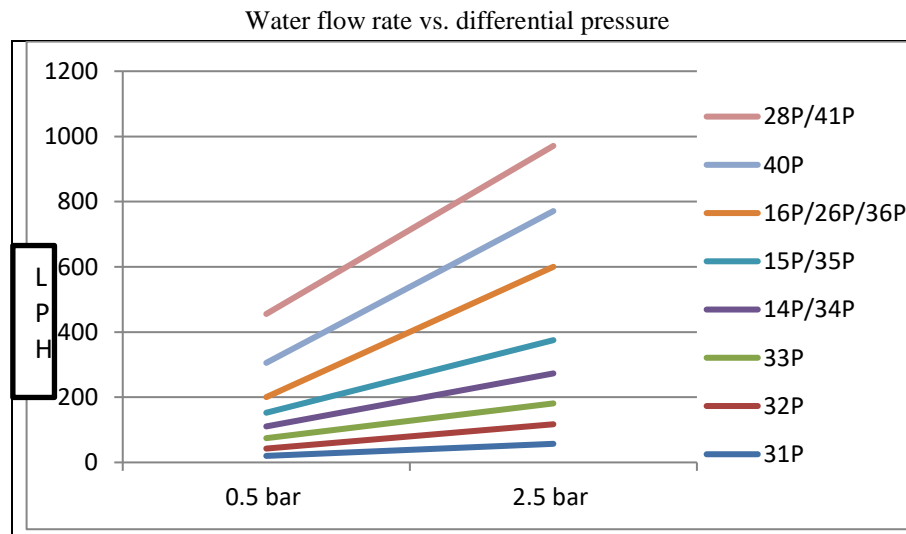


A CMDF filter module contains advanced cellulose based depth filtration media, designed to retain contaminants by both mechanical entrapment and electro kinetic adsorption. CMDF filter media is composed of high surface area filter aids embedded in a cellulose fiber matrix. The manufacturing process involves forming a filter matrix with an interconnected filtration structure with charged electro-kinetic capture mechanism. This results in porous and tortuous network capable of removing bacteria, particulate, cellular debris and submicron contaminants to a level which mechanical screening alone cannot achieve. Microfilt CMDF Module filter is available in 9 Cell, 12 cell, 14 cell, 16 cell and as per customer requirement. Microfilt CMDF series filters are made for a broad field of solid liquid separation applications. The technology is designed for high service life of filter media and equipment. Its high filtration performance, top manufacturing quality and comprehensive set of certificates meet the high standards sensitive applications.



**Features and Benefits**

<b>Pre-extracted inorganic filter aid.</b>	Low extractable, fast rinse up
<b>FDA Drug Master File and USP Class VI Biological Safety, consistent particle removal</b>	No migration of filter media, no fiber release
<b>Easy-to-install module for rapid Change-out.</b>	Easy to use, reduces labor costs, positive Sealing mechanism.
<b>Variety of module sizes and filtration surface areas</b>	Flexible options for all flow requirements.
<b>The advanced manufacturing process control</b>	Results in very uniform filtration media and Consistent lot-to-lot performance
<b>More than three times the strength of competitive media to withstand multiple steaming and Hot water sanitization cycles.</b>	Extended filter life resulting in high throughputs, fewer cartridge change-outs, And reduced operating costs.
<b>Combined depth filtration and Electro-kinetic adsorption.</b>	Efficient haze and particle removal at micron ratings smaller than the mechanical rating alone



Material of Construction	
Filter Media	Cellulose, Filter Aid, Resin binder
Support Layer	Polypropylene
End Connection	DOE
Internals	Polypropylene
O-Rings	Refer Ordering Guide

Grades Available	
CMDF	31P, 32P, 33P, 14P/34P, 15P/35P, 16P/26P/36P, 28P, 40P, 41P

Outside Diameter for Module(Nominal)	
inches	12, 16

Configuration of Sheet Size (Nominal)	
Round (Inch /mm)	8"(202), 8.5"(222), 14"(352), 18"(461), 18.5"(470), 24"(610)
Square(cms)	20x20, 40x40, 60x60

Filtration Area of Module (Nominal)		
1 Cell	Diameter (Inch)	Effective Filtration Area (m <sup>2</sup> )
	12	0.11
	16	0.25

Operating Parameters	
Temperature °C / °F [Max]	82 / 180
Pressure [Max] Bar / psi	2.5 / 36



- High Adsorption
- Depth Media
- Charge Modified
- Colloidal Reduction
- With Filter Aid
- Steam Sterilizable
- Sterile Prefiltration

**BIOFILT**  
Blood products, fermented broth, lipid removal

**BEVFILT**  
Wine, Beer, Juices, Soft Drinks, Edible oil

**PHARMAFILT**

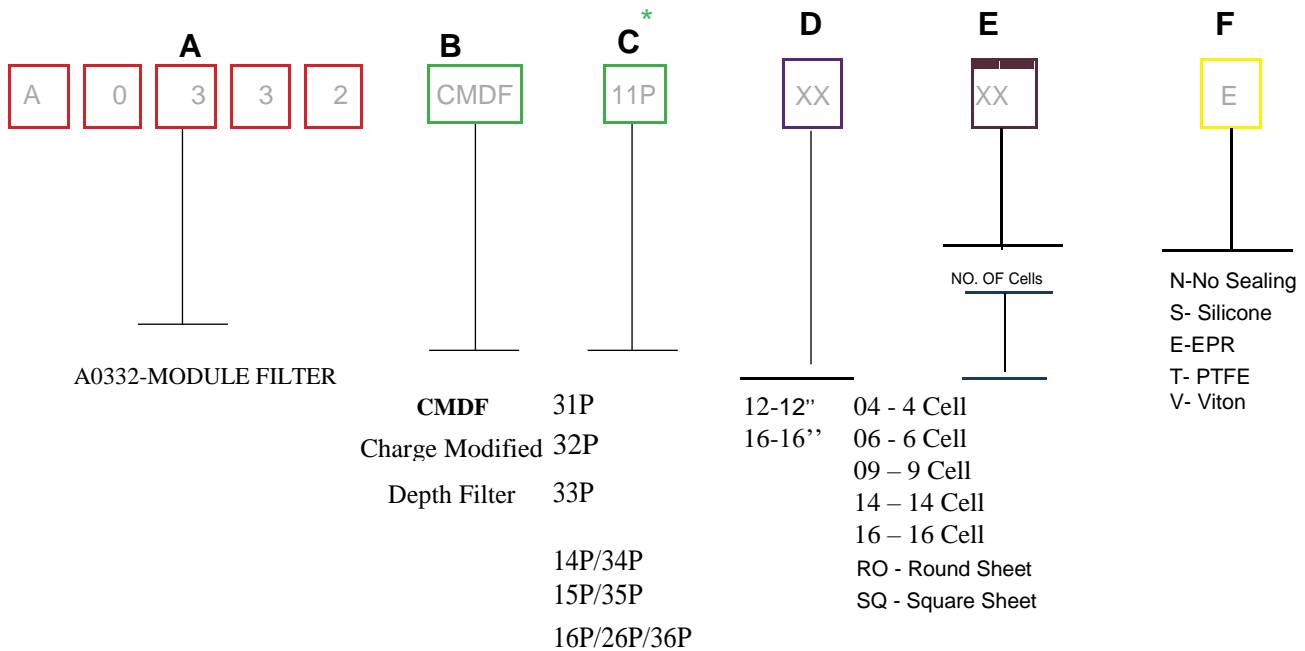
**CHEMFILT**  
Antibiotics, Syrups, IV Solutions

**COATFILT**  
Chemicals, Resins, Agrochemicals

**LIFEFILT**  
Ink, Dyes, Perfumes, Shampoos, Water,



## ORDERING GUIDE



- A** Product Family
  - B** Filter media
  - C** Grade
  - D** Cell Diameter
  - E** No. of cell/ Size
  - F** Sealing Elastomer
- \* = Adsorption Effect  
Enhance Efficiency



[www.microfiltindia.com](http://www.microfiltindia.com)

**Microfilt Filter Media (P) Ltd**  
Plot No. PAP-A-222 TO A-227  
TTC Ind. Area, Mhape,  
Navi Mumbai-400 701, INDIA

TEL +91 22 2227781499  
MAIL [innovations@microfiltindia.com](mailto:innovations@microfiltindia.com)  
WEB [www.microfiltindia.com](http://www.microfiltindia.com)

Mumbai

Ahmedabad

Pune

Hyderabad

Bangalore

Chennai