

plate & frame filter press

Zero Hold Up

Enclosed system

Compact Design

Easy Cake washing

CIP & SIP cleaning

Ensure perfect Sealing



PLATE & FRAME FILTER PRESS



PROCESSING OF PHARMACEUTICALS | BLOOD PLASMA PURIFICATION | MUNICIPAL WASTE SLUDGE DEWATERING | SOLID/LIQUID SEPARATION

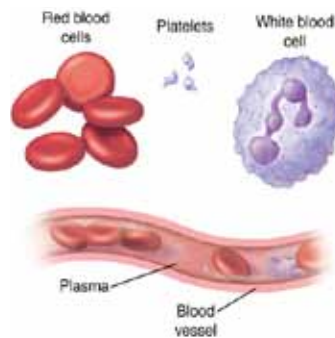


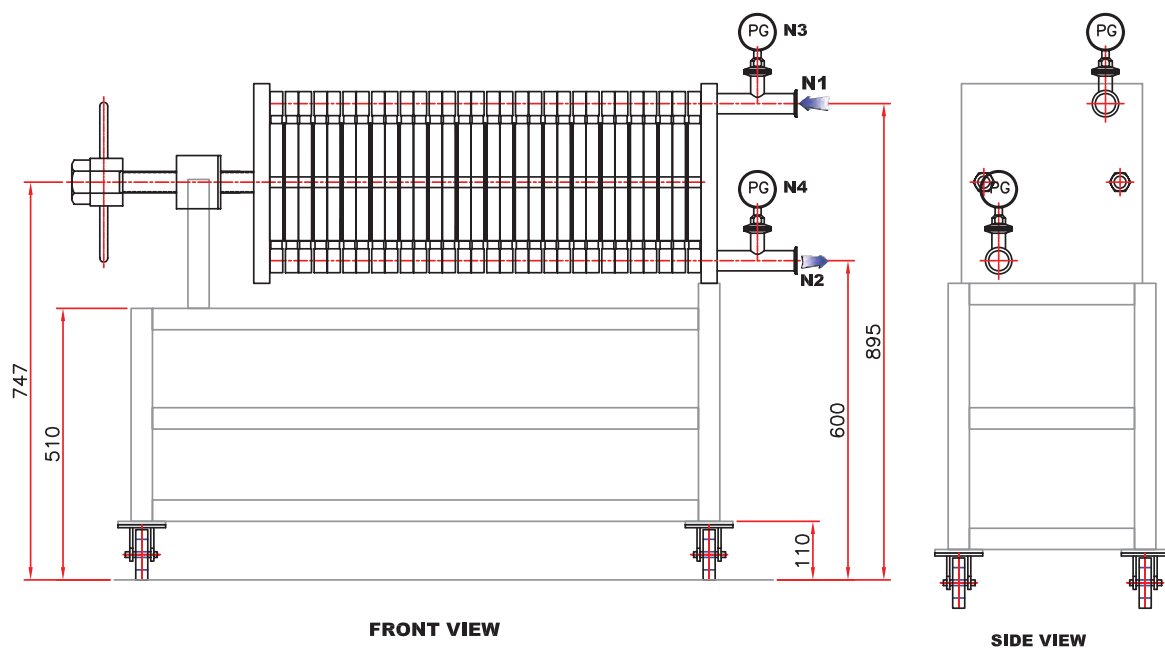
PLATE & FRAME FILTER PRESS

MICROFILT'S filter presses are characterized by their robust design and engineering. Designed to increase cake holding capacity by the use of screen. The use of screen greatly enhances the flow geometry of the plates. The innovative, rough design optimized screen consists of an open filtration area that is 40% larger than the perforated screen design. This results in optimized flow path and enables full use of the filtration area. Increased filtration area directly results in increased flow. The fully enclosed design allows for CIP and SIP cleaning.

Mechanical dehydration also results in higher yield and lowering of the residual moisture in the filter cake. The filter presses are precision machined for effective sealing to ensure zero leakage.

Features and Benefits

- | | |
|---|--|
| <ol style="list-style-type: none"> 1. All wetted parts with customized MOC with Customized finish. 2. Completely enclosed & Scalable design . 3. No undesirable product loss. 4. Option for automatic plate shifters and cleaning portals. 5. Easy assembly and dismantling processes & Easy cake washing possibility. | <ol style="list-style-type: none"> 6. Unique geometry & enhance flow and optimal use of filtration area. 7. Precision machining to ensure perfect sealing. 8. CIP and SIP capability for Pharma, Food & Beverages industries. <ul style="list-style-type: none"> • Reduced filtration cleaning time • Reusability possible |
|---|--|





Material of Construction	
Wetted Part	SS 316 / SS 316L / SS 304
Non-Wetted Part	SS 304
Elastometer	Silicon / PTFE / EPDM / Viton
Plate Height (mm)	13, 25, 40
Plate Size (mm)	200 X 200, 400 X 400, 600 X 600

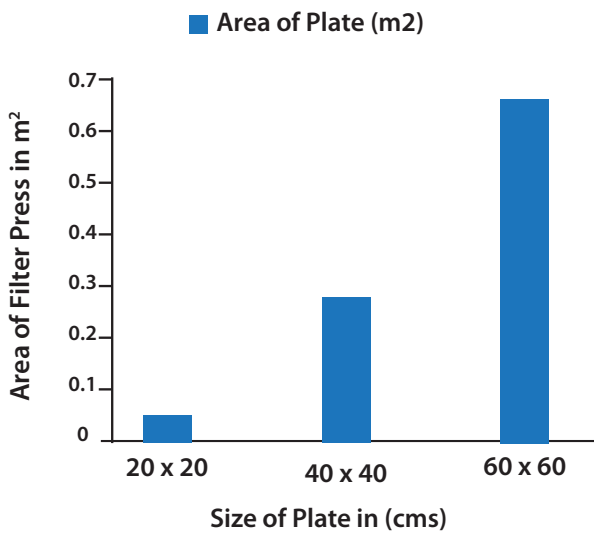
Operating Conditions	
Max. Operating Pressure	7 Kg / cm ² **
Max. Operating Temperature	150° C (302° F)**

* Other MOC available as required.

** Higher temperature or Pressure compatibility design available on request.

*** Other micro rating available as required.

Area of Plate (m ²)	Size (Cms)	Cake holding capacity per frame (Ltrs)		
		13 mm	25 mm	38 mm
0.054	20 X 20	0.353	0.68	
0.275	40 X 40	1.79	3.44	5.24
0.652	60 X 60	4.24	8.15	12.42



Cake Holding Capacity for Plate & frame filter Press

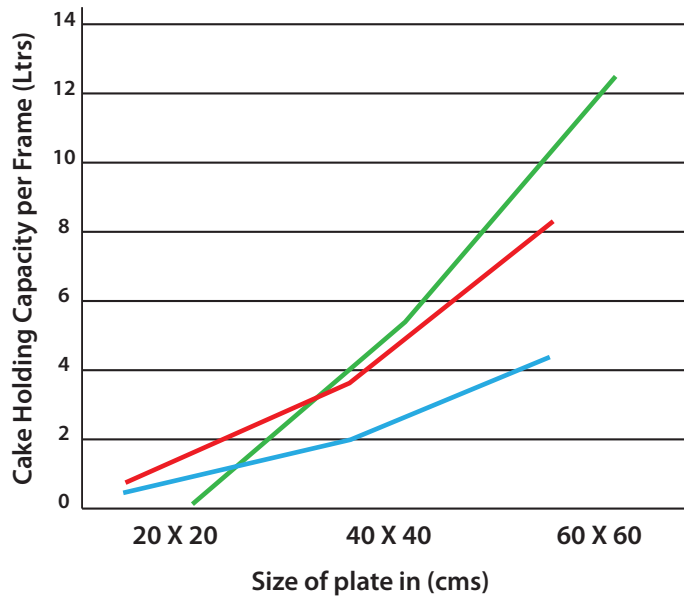
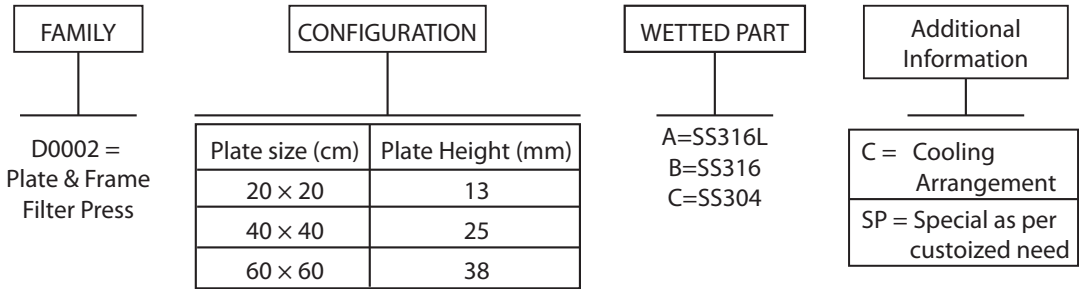




PLATE & FRAME FILTER PRESS



www.microfiltindia.com

Microfilt India Pvt. Ltd.

Plot no. 247/2, GIDC Phase II,
Umbergaon-396171,
Dist. Valsad, Gujarat India.

Tel: +91 260 2561392 / 93

Email: innovations@microfiltindia.com

Web: www.microfiltindia.com